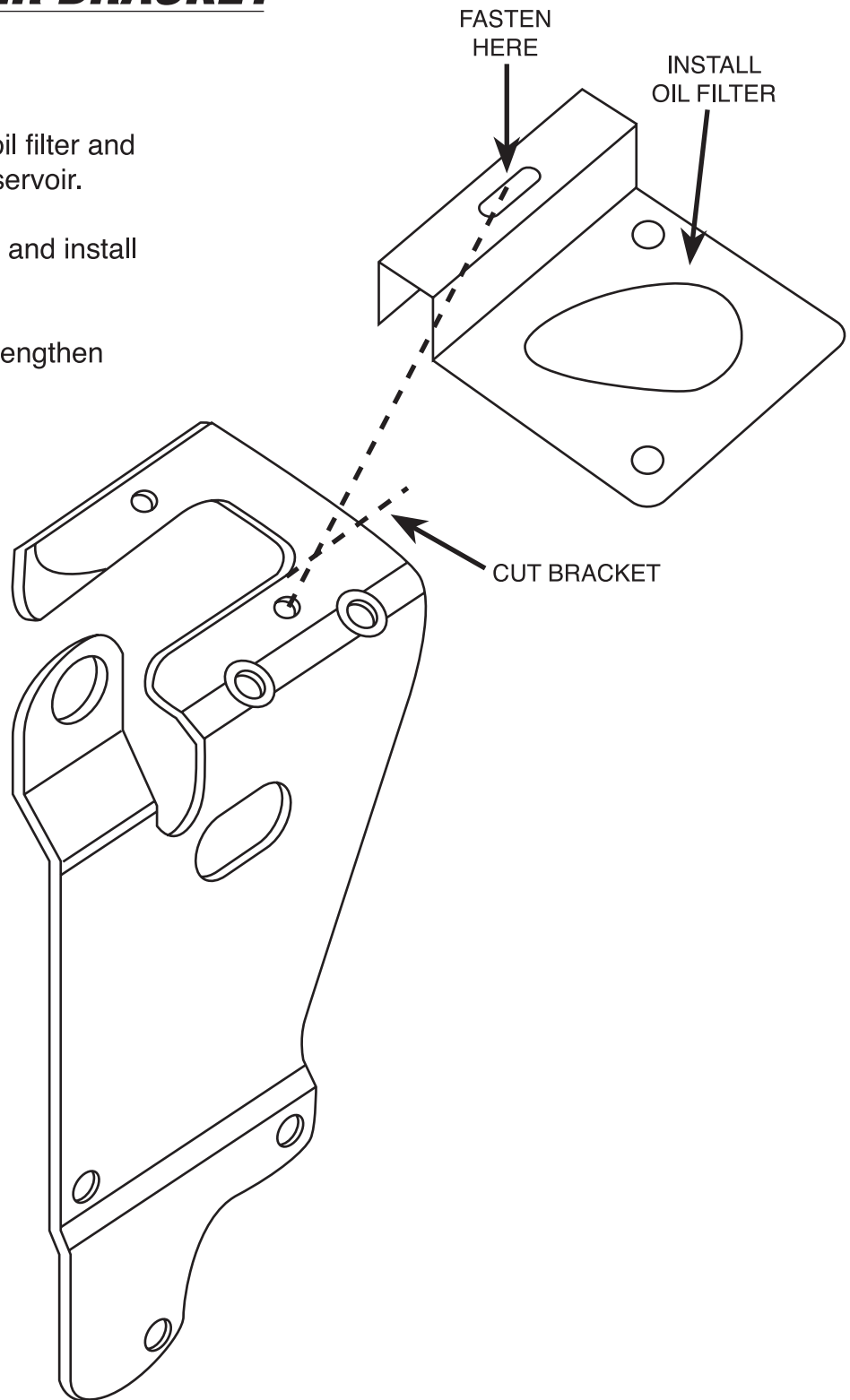


# ***EMI 140 OIL FILTER BRACKET***

- 1) Remove oil filter lines, oil filter and bracket and drive oil reservoir.
- 2) Cut the existing bracket and install new EMI bracket.
- 3) Re-install the filter and lengthen filter line to cooler.



INSTALL INTO EXISTING OIL COOLER LINE

EXTENSION HOSE

INSTALL INTO OIL FILTER

