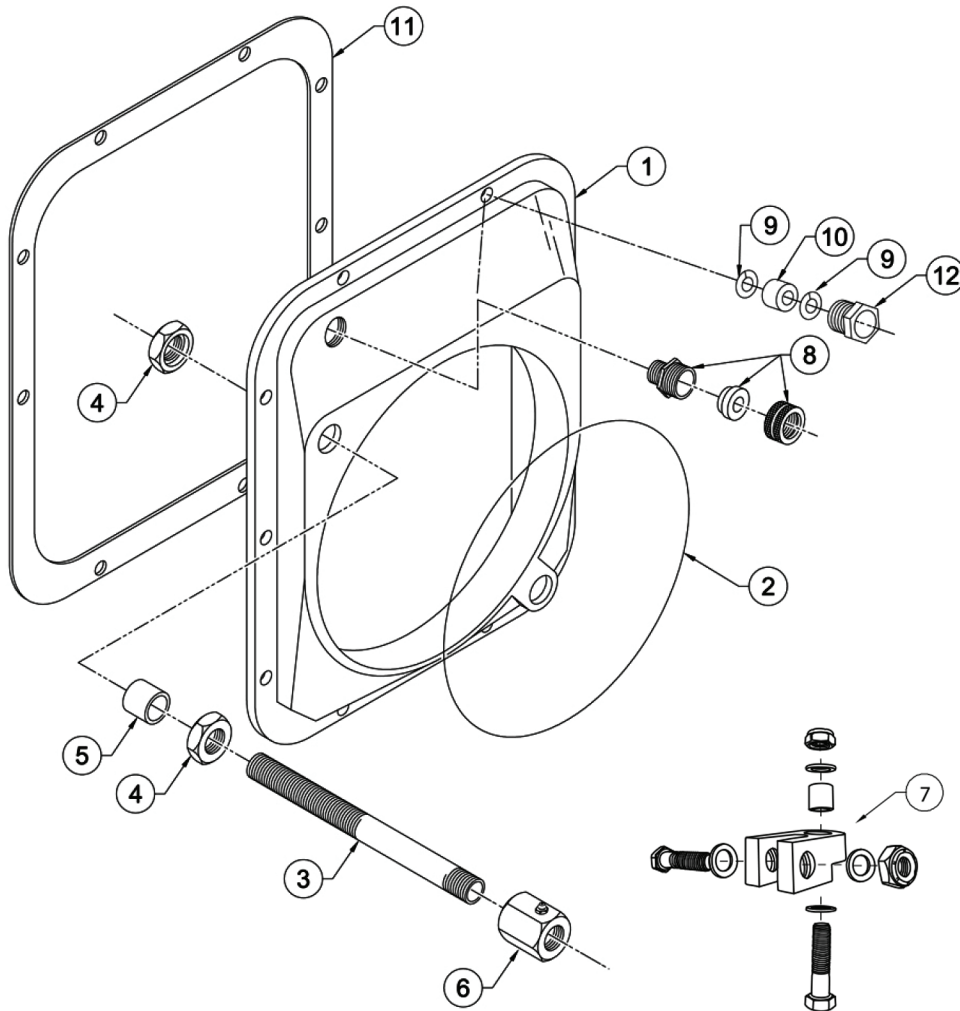


Berkeley Transom Shield



Berkeley Transom Adapter Parts

SYM	Part No.	Description
1	---	TRANSOM HOUSING
2	AT-02002	TRANSOM O-RING
3	AT-T3007	STEERING TUBE
4	AT-R9206	STEERING TUBE NUT-TWO REQUIRED
5	AT-R9106	STEERING TUBE GROMMET
6	AT-T3107	STEERING TUBE SEAL NUT
7	AT-RA8007	STEERING SWIVEL CONNECTION KIT
8	AT-T2007	SHIFT CABLE SEAL ASSEMBLY
9	B-S15427	SHIFT CABLE SPLIT WASHER-TWO REQUIRED
10	B-S9488	SHIFT CABLE SEAL
11	AT-G3006	TRANSOM GASKET
12	B-S15426	SHIFT CABLE PACKING NUT