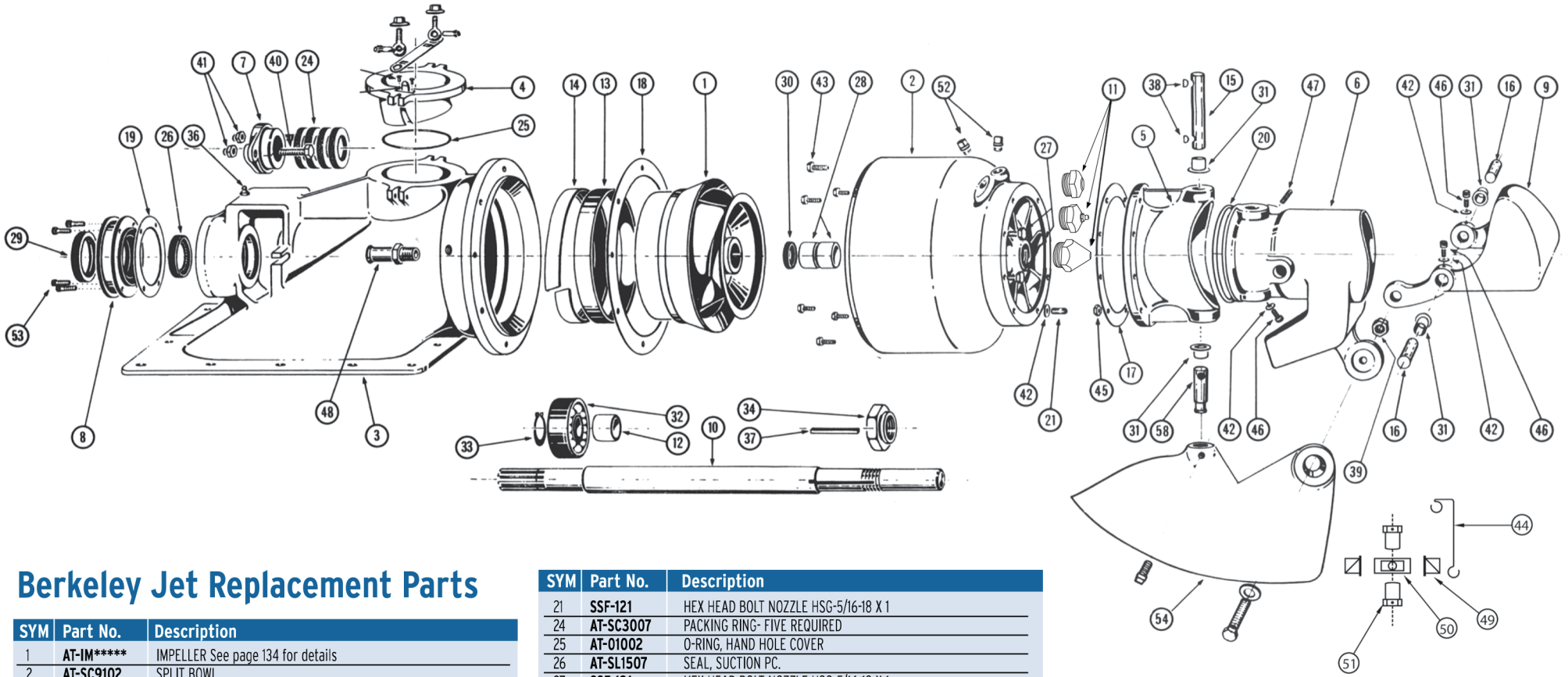


Berkeley Jet Replacement Parts



Berkeley Jet Replacement Parts

SYM	Part No.	Description
1	AT-IM****	IMPELLER See page 134 for details
2	AT-SC9102	SPLIT BOWL
3	AT-SC1003B	SUCTION PIECE & HAND HOLE COVER
4		HAND HOLE COVER-No longer available
5	AT-R1007	NOZZLE HOUSING
6	AT-R5603	NOZZLE ASSEMBLY (Includes Nozzle, Housing, Gate & Steering Arm)
7	AT-SC2507	PACKING GLAND
8	AT-SC2007	BEARING CAP
8	AT-SC4007	RUBBER ENGINE MOUNT RING (NOT PICTURED)
9		REVERSE GATE- See item #6
10	AT-SH1107	PUMP SHAFT HIGH PERFORMANCE 17-4
11	AT-SC9001S	BOWL END CAP ALUMINUM SHORT
11	AT-SC9001	BOWL END CAP ALUMINUM W/GREASE ZERK
11	AT-9001L	BOWL END CAP ALUMINUM LONG TAPERED
12	AT-SH2507	SLEEVE, SHAFT SEAL
13	AT-WR50**	WEAR RING-SEE PAGE XX FOR DETAILS
14	AT-WR6004	WEAR RING INSULATOR
15	AT-R3505	TILLER SHAFT
16	AT-R4507	REVERSE GATE PIN-TWO REQUIRED
17	AT-G2507	GASKET, BOWL TO NOZZLE
18	AT-G2006	GASKET, BOWL TO SUCTION
19	AT-G1507	GASKET, BEARING CAP
20	AT-O1502	O-RING, EARLY NOZZLE UP TO '94
20	AT-O1505	O-RING, LATE NOZZLE AFTER '94

SYM	Part No.	Description
21	SSF-121	HEX HEAD BOLT NOZZLE HSG-5/16-18 X 1
24	AT-SC3007	PACKING RING- FIVE REQUIRED
25	AT-O1002	O-RING, HAND HOLE COVER
26	AT-SL1507	SEAL, SUCTION PC.
27	SSF-121	HEX HEAD BOLT NOZZLE HSG-5/16-18 X 1
28	AT-B1502	BOWL BEARING, GLACIER- TWO REQUIRED
29	AT-SL1007	SEAL, BEARING CAP
30	AT-SL2002	SEAL, BOWL
31	AT-B2007	NYLINER BUSHING-FOUR REQUIRED
32	AT-B1007	THRUST BEARING
32	AT-K1902	HIGH PERF THRUST BEARING KIT
33	AT-SH1507	SNAP RING
34	AT-SH3507	LOCK NUT, IMPELLER
37	AT-SH3007	KEY, IMPELLER
38	AT-R5507	KEY, WOODRUFF
39	AT-F10LN	LOCK NUT-3/8-24
40	AT-F32CS	HEX HEAD BOLT-3/8-24X2
41	AT-F10LN	LOCK NUT, PACK GLAND-3/8-24
42	SSF-336	LOCKWASHER-5/16
43	AT-F41CS	HEX HEAD BOLT, BOWL-1/2-13 X 1 1/4
44	B-S16609	RETAINING CLIP
45	SSF-301	HEX NUT-5/16-18
46	SSF-176	SOC HEAD CAP SCREW-5/16-18 X 1
47	AT-F13SS	SET SCREW, TILLER-5/16-18 X 3/4
48	HD-3858	CHROME FITTING-3/8NPT X 5/8
49	AT-B2007S	SHIFT PIN BUSHINGS-TWO REQUIRED
50	B-S15412	SHIFT CABLE PIN
51	B-S15413	SHIFT CABLE ADJUSTING NUT-TWO REQUIRED
52	AT-SC9902	BRASS PIPE PLUG, OIL RESERVOIR- TWO REQUIRED
53	SSF-177	SOC HEAD CAP SCREW-5/16-18 X 1 1/4
54	114-16	RUDDER KIT, PLASTIC