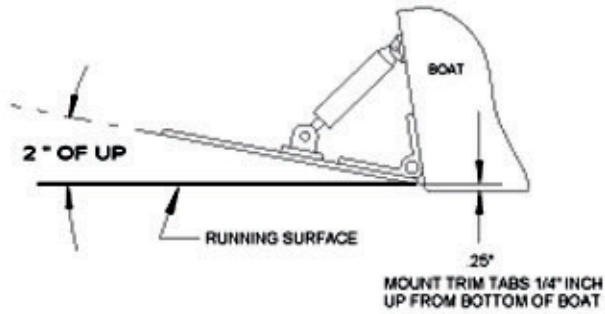


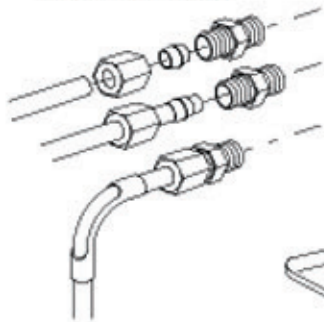
NOTE:

MOUNTING POSITION WITH HYDRAULIC CYLINDER
IN FULL UP POSITION (AS SHOWN)



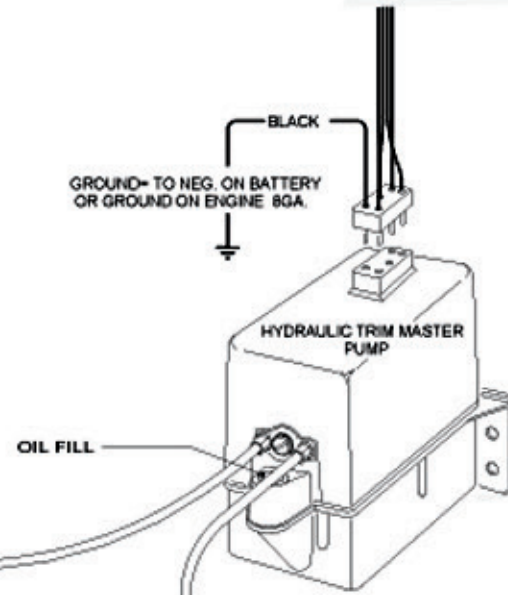
NOTE:

TYPE CONNECTING OF HYDRAULIC LINES
DO NOT OVERTIGHTEN



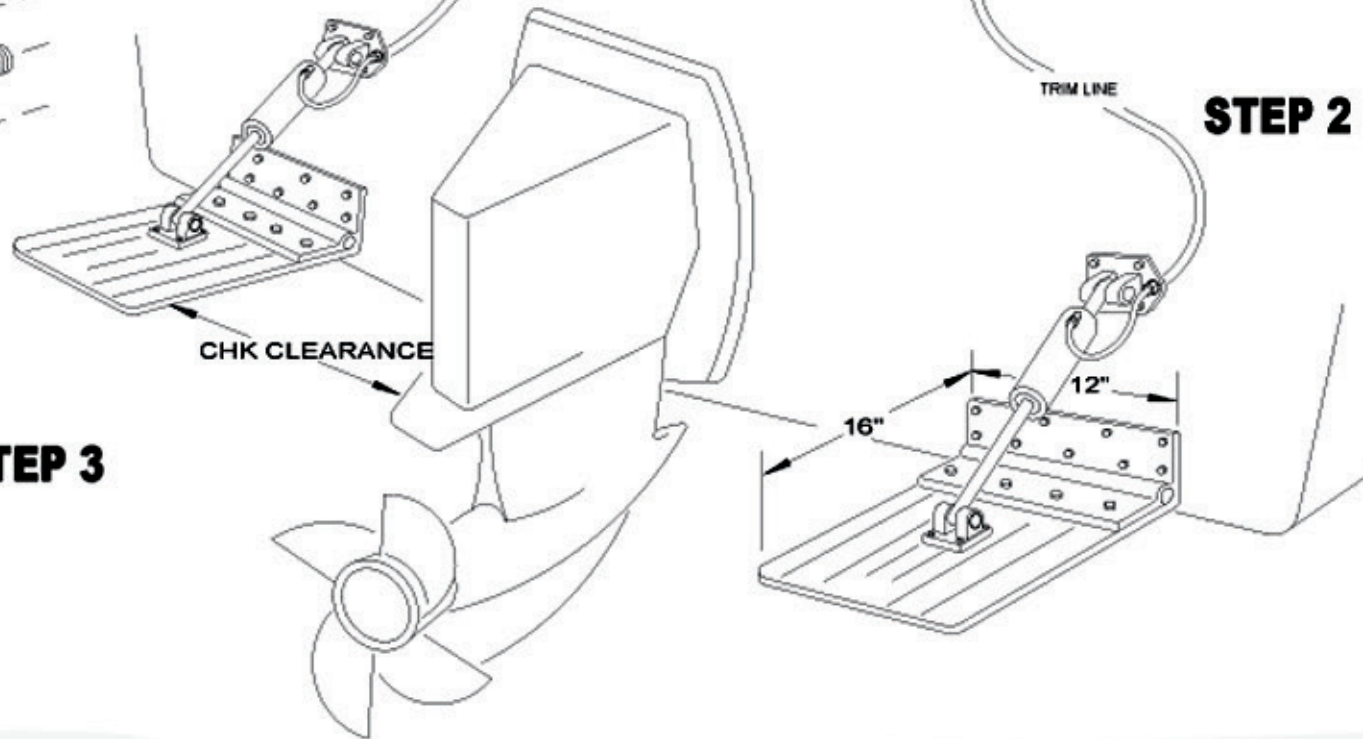
NOTE:

MAKE TRIM LINES EQUAL IN LENGTH
FOR PROPPER OPERATION



STEP 2

STEP 3



500-75 Wiring Instructions

