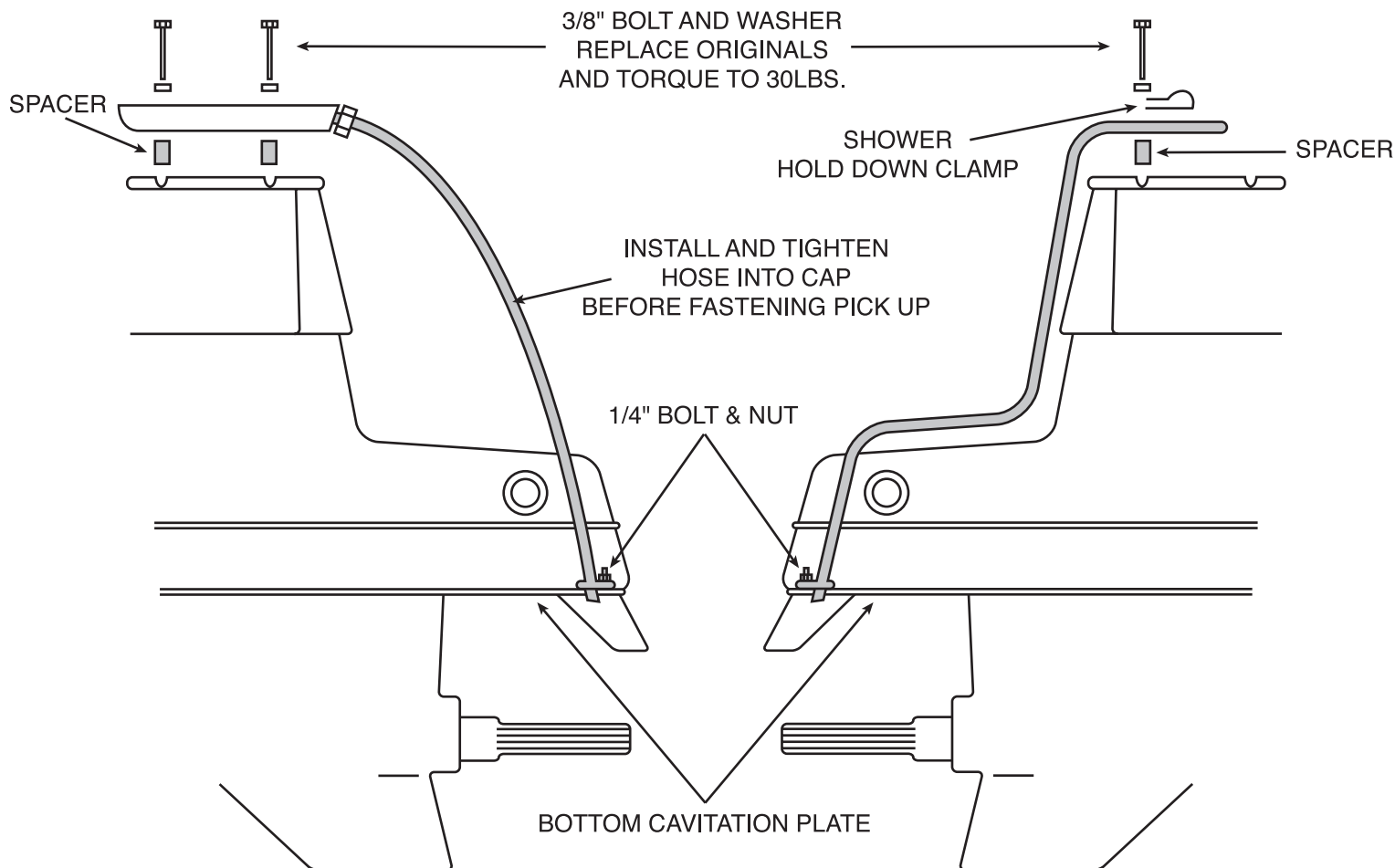


DELUXE DRIVE SHOWER

RIGID DRIVE SHOWER



NOTE: BEFORE BEGINNING THE INSTALLATION, CHECK TO MAKE SURE THAT THERE IS ADEQUATE CLEARANCE FOR THE SHOWER WHEN THE DRIVE IS IN ITS TRAILERING POSITION! Cut out the paper template below. Tape it to the back of the bottom cavitation plate (either the right or left side). Center punch and drill the plate accordingly and attach the drive shower pick up with the enclosed 1/4" screw and locknut.

