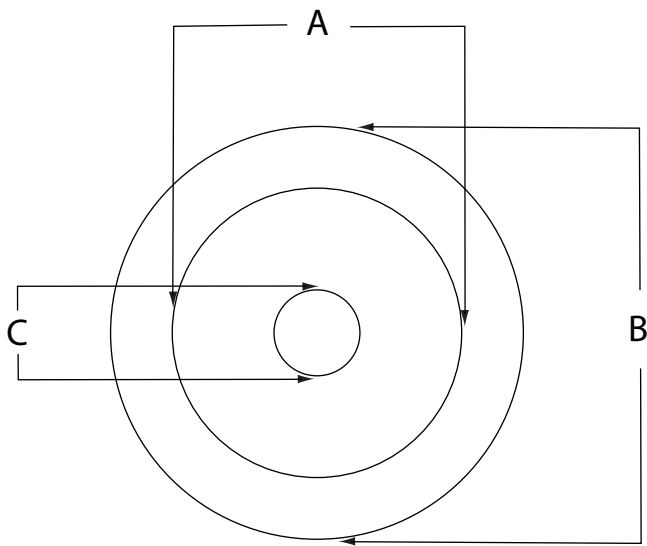
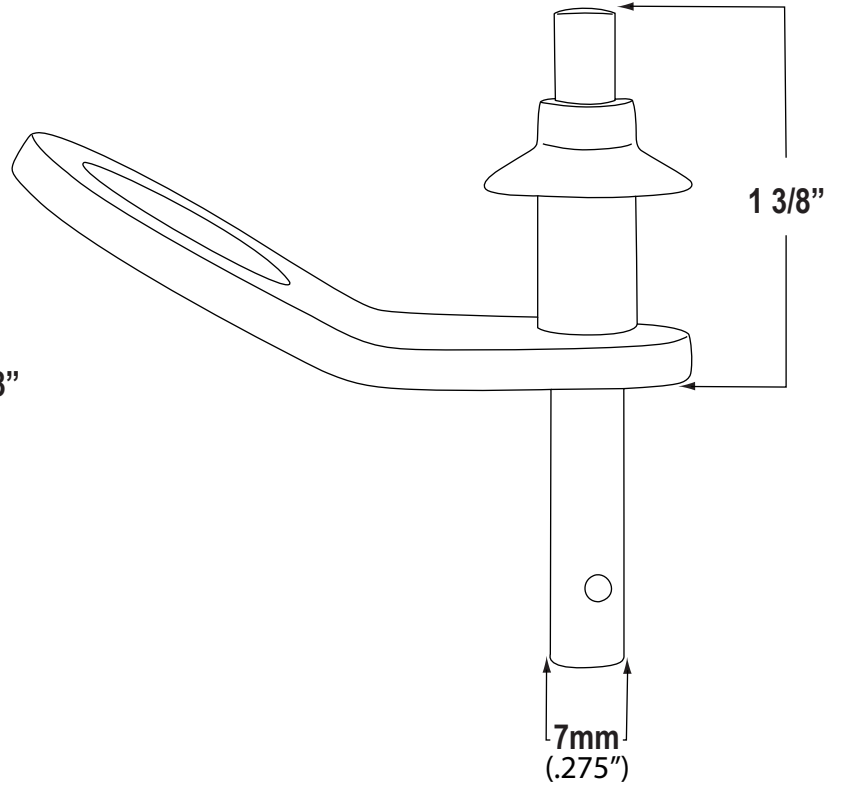
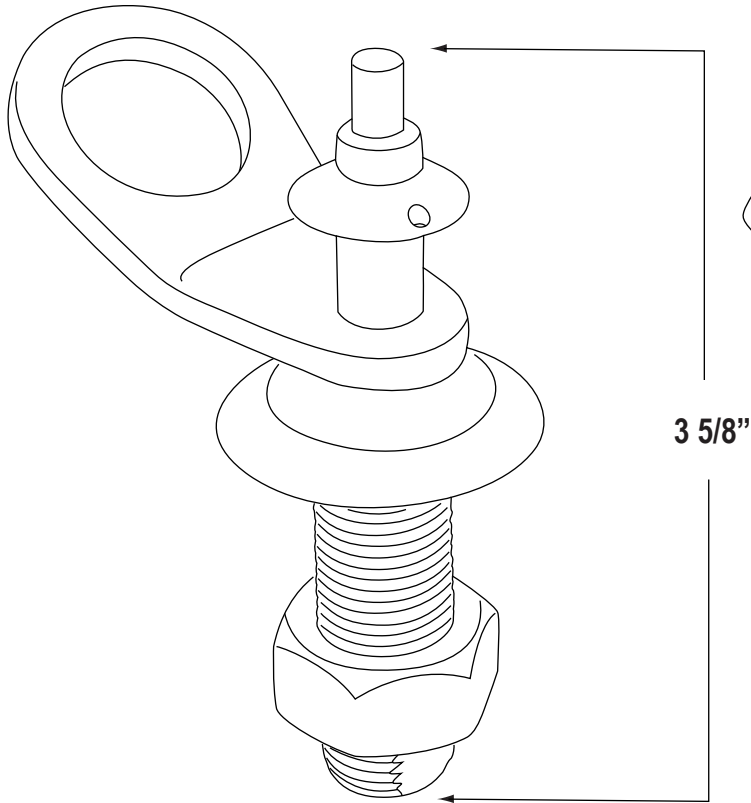


280-33 QUICK PIN CLEAT DIMENSIONS



Top View

A-Cleat (w/o Bezel) OD = 1"
 B- Cleat Bezel OD = 1-1/2"
 C- Pin Opening = 9/32"

