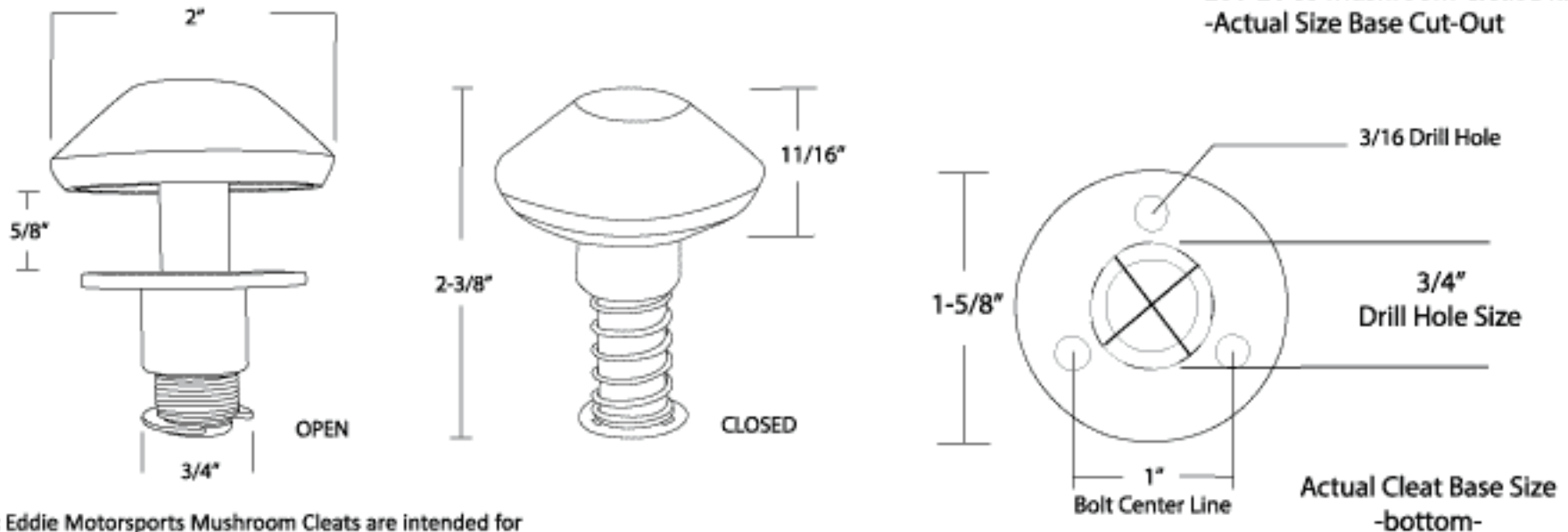


280-20 SS Mushroom Cleat Diagram  
-Actual Size Base Cut-Out



**NOTE:** Eddie Motorsports Mushroom Cleats are intended for use with fender lines only. **Not for use for mooring.**

1. Carefully remove the C-clip and disassemble the cleat for installation.

2. Cut out the cleat base drawing/drill template to determine the desired position for the cleat.

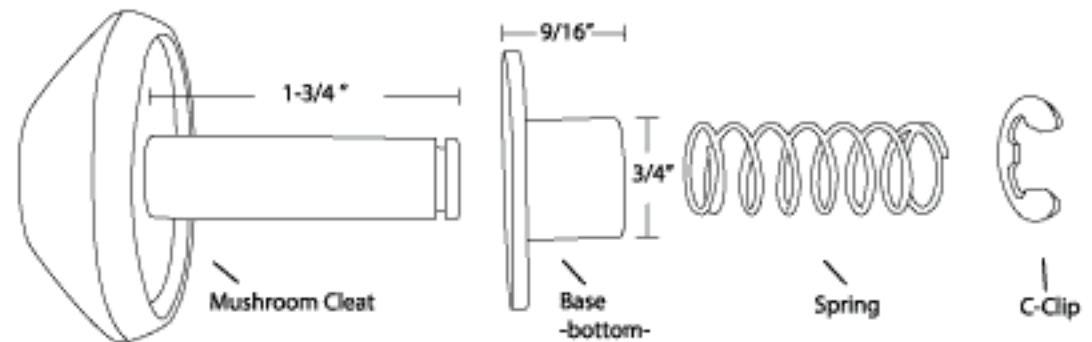
**NOTE:** Make sure that the cleat is installed in a place that has enough clearance to access the C-clip and for the cleat pin when it is in its resting position.

3. Mark and drill a 3/4" hole.

4. Insert the cleat base into the hole and use it as a guide to drill the three 3/16" holes.

5. Use #10 screws, lock nuts, and washers to securely fasten the cleat base.

6. Reassemble the cleat and reinstall the C-clip.



IF YOU HAVE PRINTED THESE INSTRUCTIONS,  
USE THE DIMENSIONS LISTED TO VERIFY THAT  
THEY HAVE PRINTED TO SCALE.

WHEN PRINTING  
DO NOT SHRINK TO FIT

