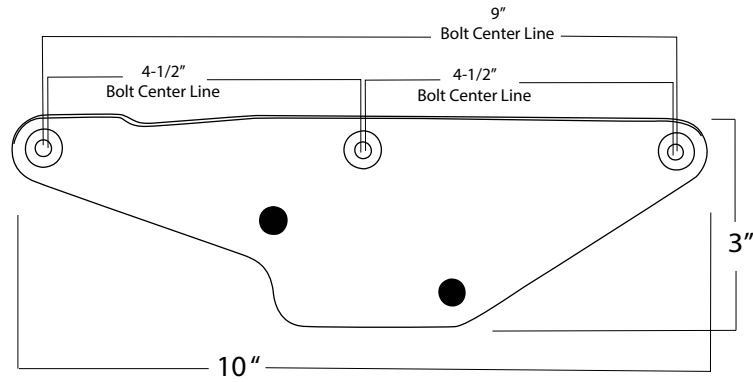
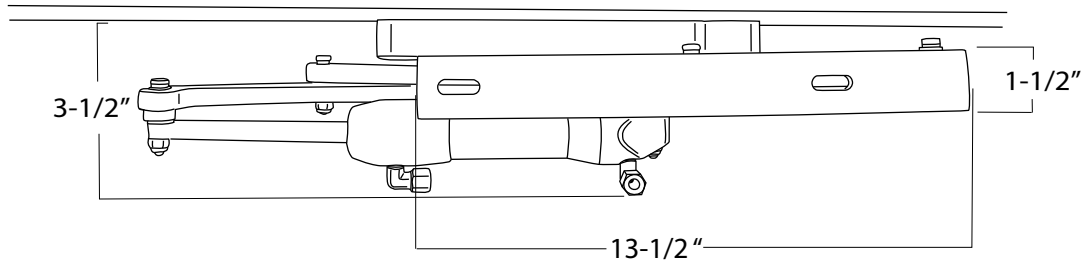


# 149-08 HYDRAULIC HATCH HINGE MEASUREMENTS

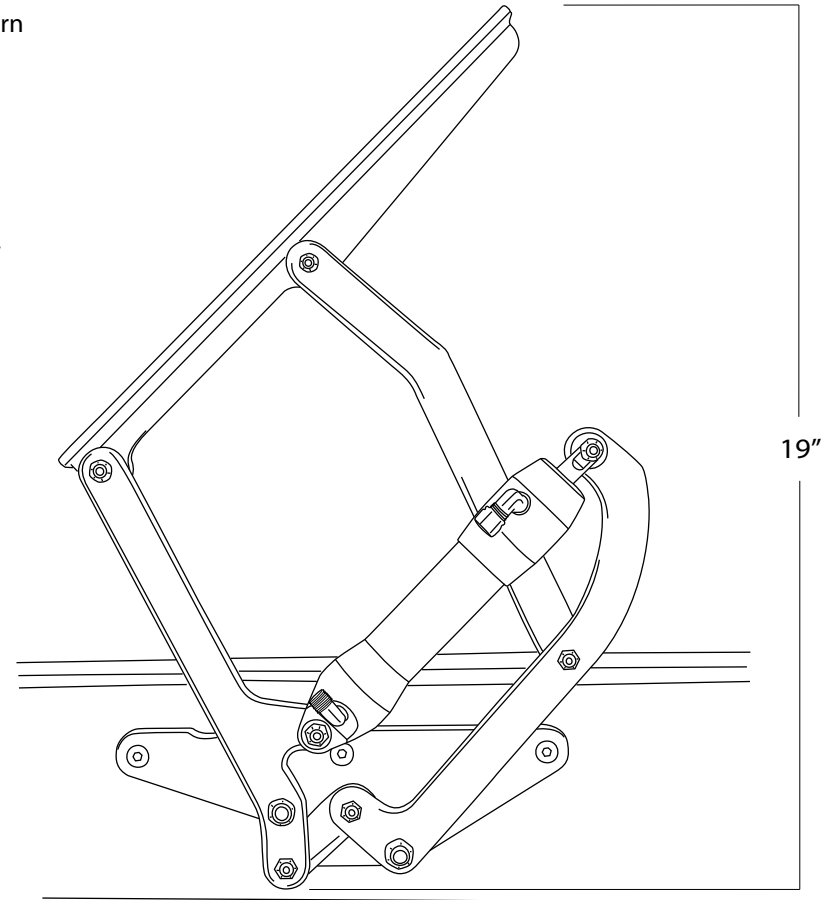


Base Plate Bolt Pattern

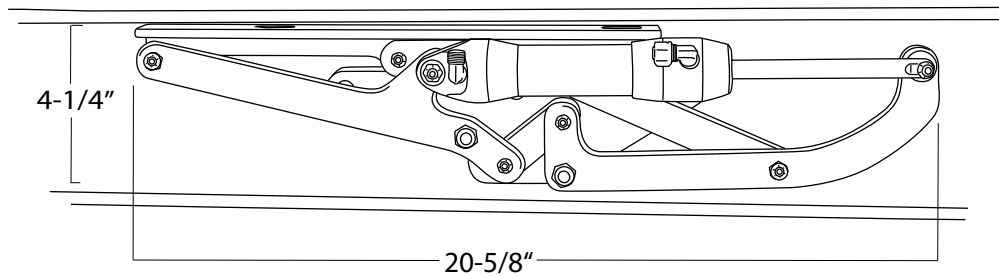
IF YOU HAVE PRINTED THESE INSTRUCTIONS, USE THE DIMENSIONS LISTED FOR REFERENCE. THEY ARE NOT PRINTED TO SCALE.



Top View



Open



Closed

