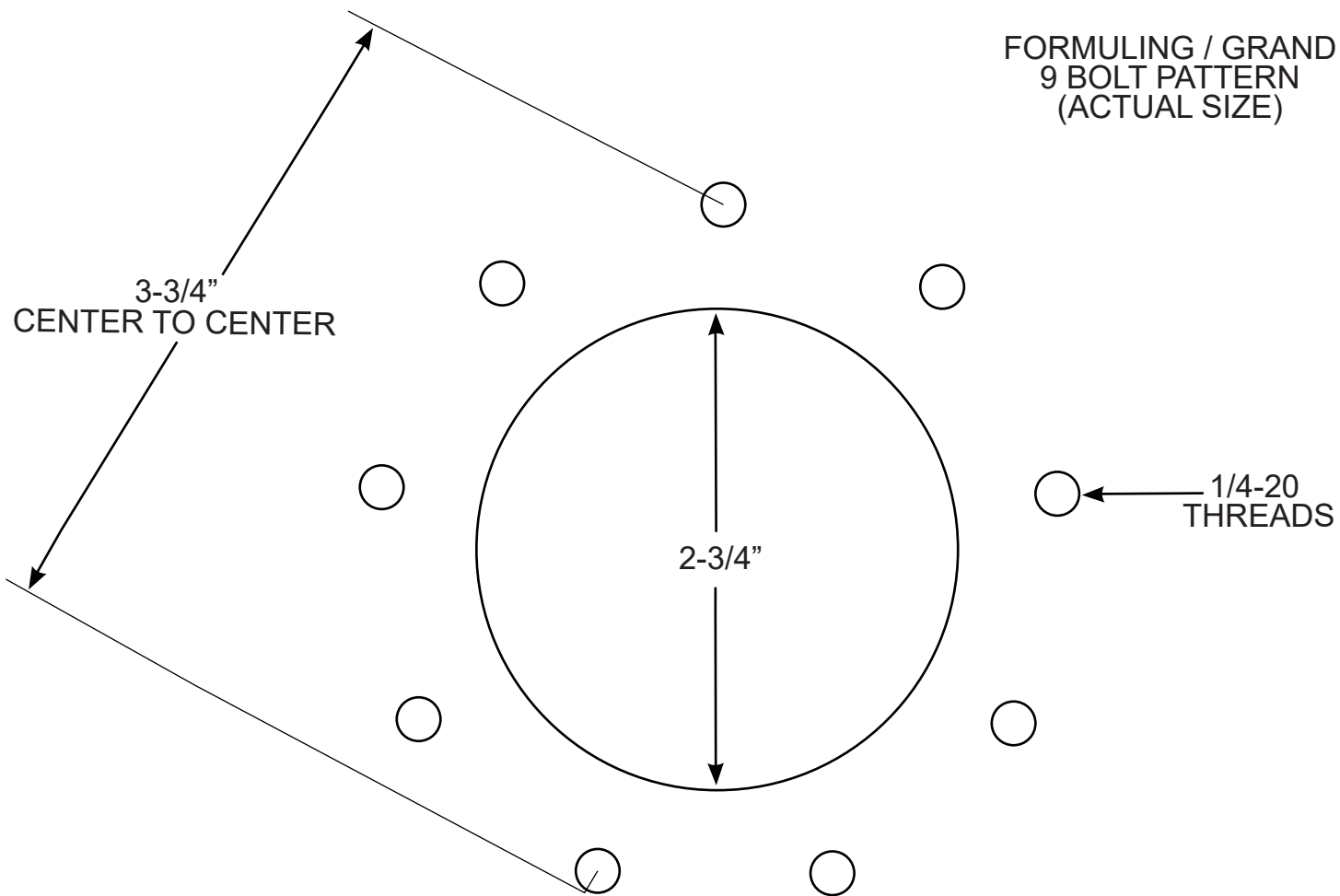
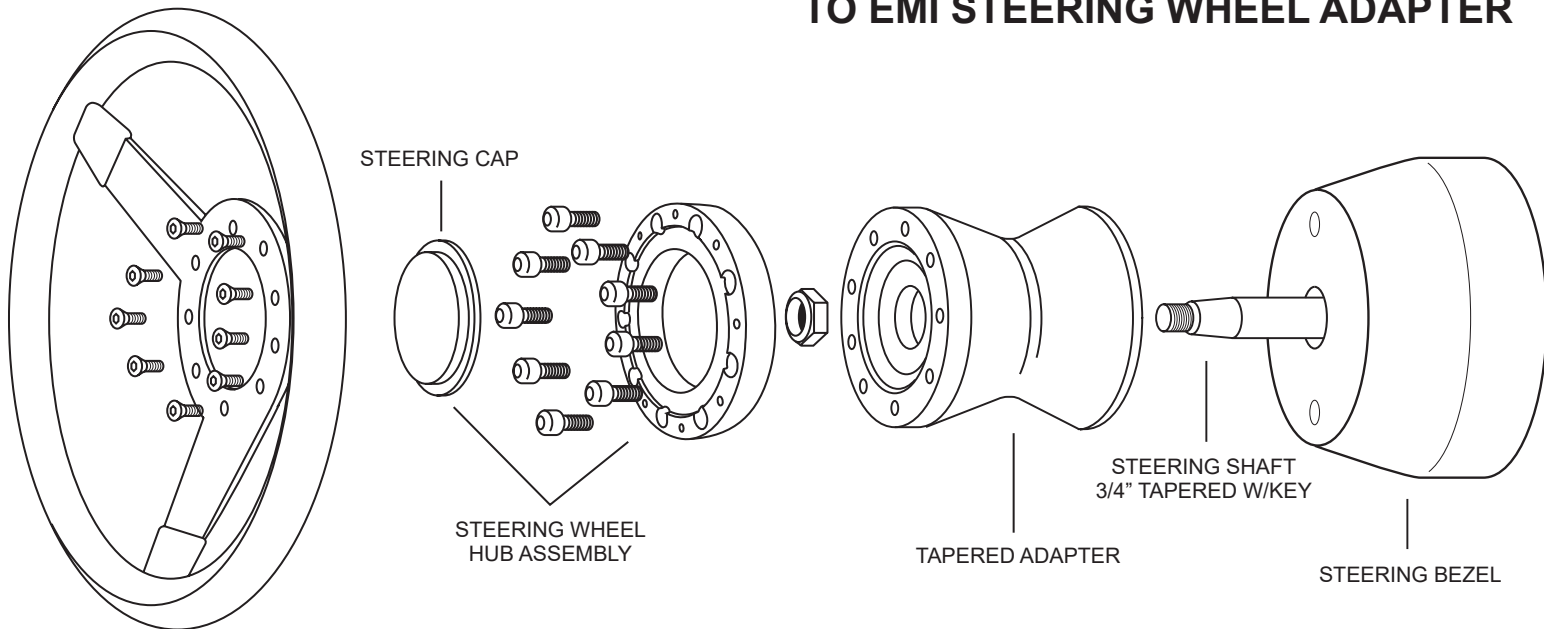


141-04 FORMULING / GRANT 9 BOLT TO EMI STEERING WHEEL ADAPTER



IF YOU HAVE PRINTED THESE INSTRUCTIONS,
USE THE DIMENSIONS LISTED TO VERIFY THAT
THEY HAVE PRINTED TO SCALE.

WHEN PRINTING
SELECT "ACTUAL SIZE"