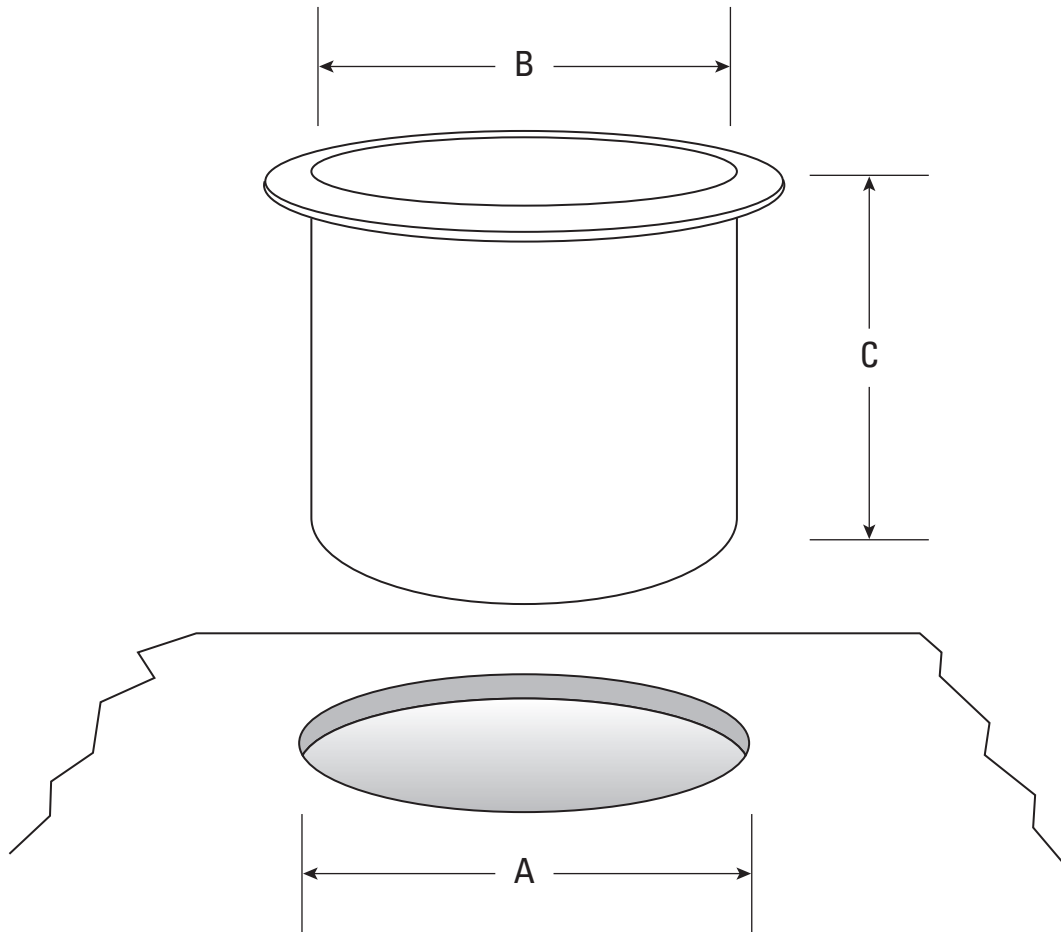


DRINK CUP HOLDER DIMENSIONS



		Cut out (A)	Flange (B)	Depth (C)
281-39	Small	3"	3 3/4"	2 7/8"
281-32	Medium	3 3/8"	4 3/16"	3"
281-31	Large	3 3/4"	4 3/8"	2 7/8"
281-36	Large (short)	3 3/4"	4 3/8"	2 3/16"