

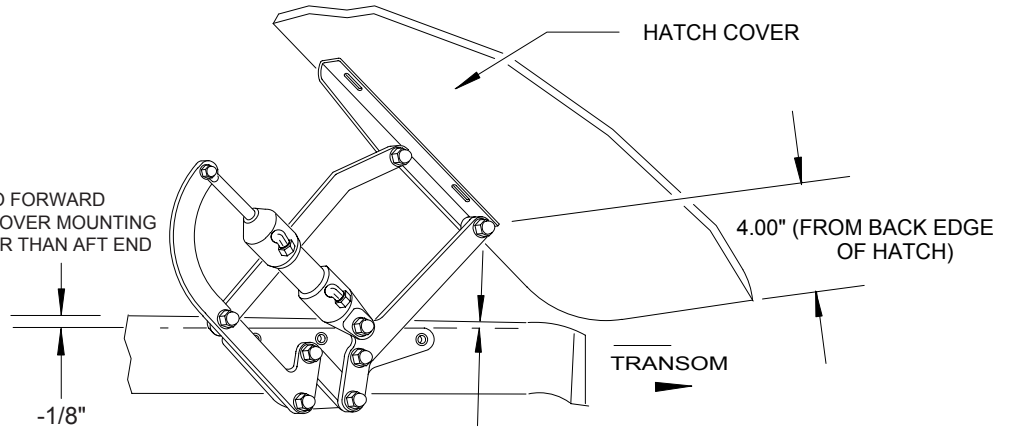
149-08 HYDRAULIC HINGES

PARTS INCLUDED IN THIS KIT

- (2) HINGES
- (1) HYDRAULIC ASSY.
- (1) BYPASS VALVE
- (1) ROLL OF HYDRAULIC TUBING
- (2) BACKING PLATES

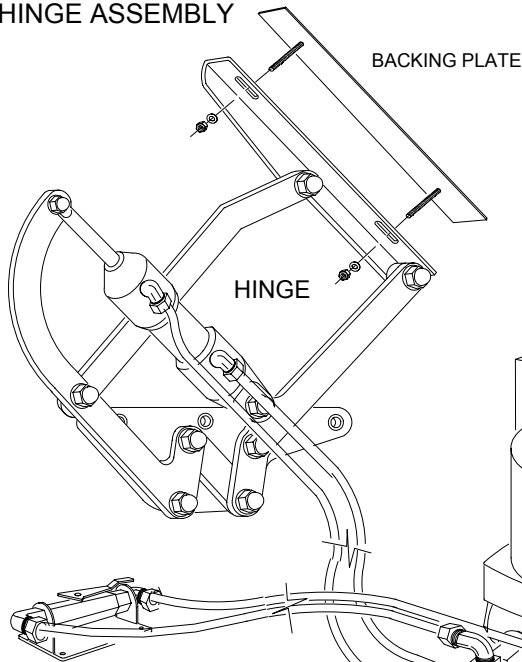
STEP 1 HINGE MOUNTING

MOUNT HINGE SO FORWARD END OF HATCH COVER MOUNTING PAD IS 1/8" LOWER THAN AFT END



WITH HINGE COLLAPSED, POSITION ON THE GUNNEL SO THAT THE TOP HATCH COVER MOUNTING PAD IS LOCATED BELOW THE TOP OF THE GUNNEL THE SAME DISTANCE AS THE THICKNESS OF THE HATCH COVER. THIS WILL ALLOW IT TO MOUNT FLUSH.

HINGE ASSEMBLY



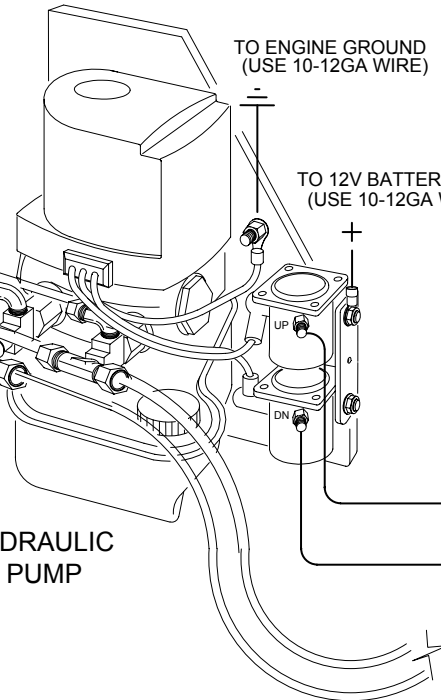
BYPASS VALVE
OPEN TO MANUALLY OPERATE HINGES IN THE CASE OF ELECTRICAL FAILURE.

STEP 2 LINE ROUTING

HYDRAULIC PUMP

TO ENGINE GROUND
(USE 10-12GA WIRE)

TO 12V BATTERY POWER
(USE 10-12GA WIRE)



MOMENTARY SWITCH
(SOLD SEPARATELY)

UP

DOWN

USE 16-18GA WIRE TO SWITCH

10 AMP FUSE

(12 VOLTS) FROM IGNITION

STEP 3 WIRING